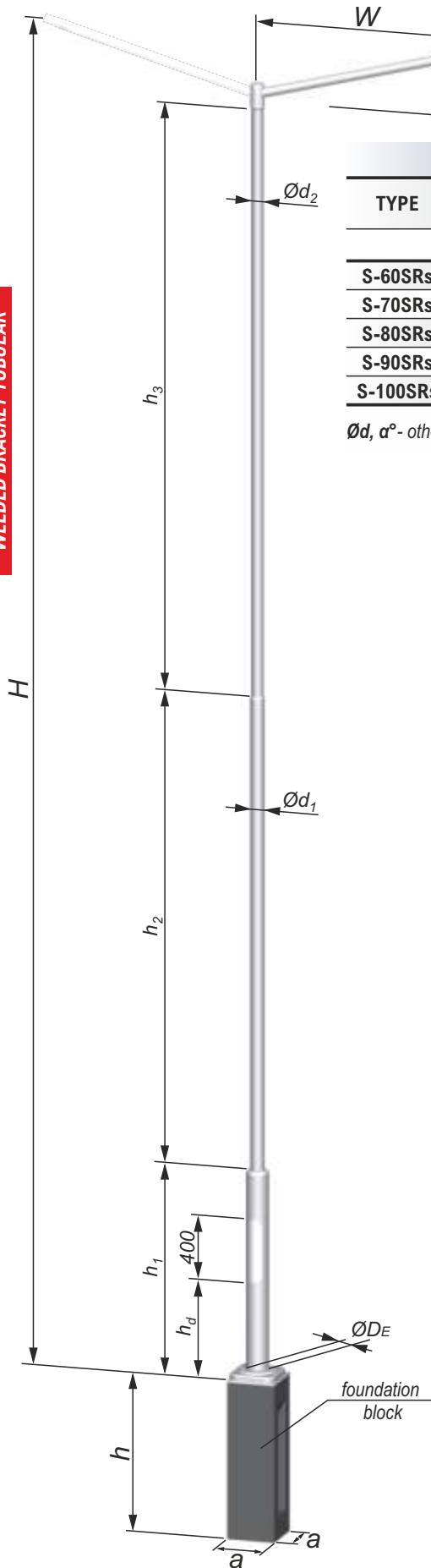


STEEL STREET LAMPS

WELDED TUBULAR STREET LAMP BRACKET POSTS SRs; ST BRACKETS

STREET LAMPS
WELDED BRACKET TUBULAR



Technical data																
TYPE	H	h _d	Ød/D _E	Ød ₁	Ød ₂	h ₁	h ₂	h ₃	m*	a x a x h TYPE						
	m	mm	mm	mm	mm	m	m	m	kg	m						
S-60SRs	6,0	400	60/127	89	76	1,0	2,0	2,8	55,2	0,3 x 0,3 x 1,0						
S-70SRs	7,0		60/127								76	1,0	2,0	3,8	60,9	F100/200
S-80SRs	8,0	600	60/140	114	89	1,5	3,0	3,5	73,3	0,3 x 0,3 x 1,5						
S-90SRs	9,0		60/159								89	1,5	4,0	3,3	100,6	F150/200
S-100SRs	10,0		60/168								89	2,0	4,0	4,0	113,9	

Ød, α° - other assembly diameters and inclination angles type should be specified in the inquiry or order.

Strength data							
TYPE	W	Lamp fixture weight/ bracket	Wind Zone, PN EN 1991-1-4				M _F
			Permissible lamp fixture surface [m ²]				
	m	kg	I ≤300m a.s.l.	I ≤500m a.s.l.	II ≤300m a.s.l.	III ≤950m a.s.l.	kNm
Single arm bracket							
S-60SRs	1,5	15	0,251	0,156	0,132	0,060	5,0
S-70SRs	1,5	15	0,155	0,075	0,055	-	5,0
S-80SRs	1,5	15	0,365	0,217	0,179	0,072	7,5
S-90SRs	1,5	15	0,574	0,387	0,341	0,206	12,5
S-100SRs	1,5	15	0,530	0,341	0,295	0,163	13,3
Double arm bracket							
S-60SRs	1,5	15	0,484	0,298	0,250	0,108	5,0
S-70SRs	1,5	15	0,290	0,118	0,072	-	5,0
S-80SRs	1,5	15	0,374	0,180	0,132	-	7,5
S-90SRs	1,5	15	0,724	0,452	0,386	0,192	12,5
S-100SRs	1,5	15	0,560	0,322	0,266	0,100	13,3

* - Data for single arm brackets