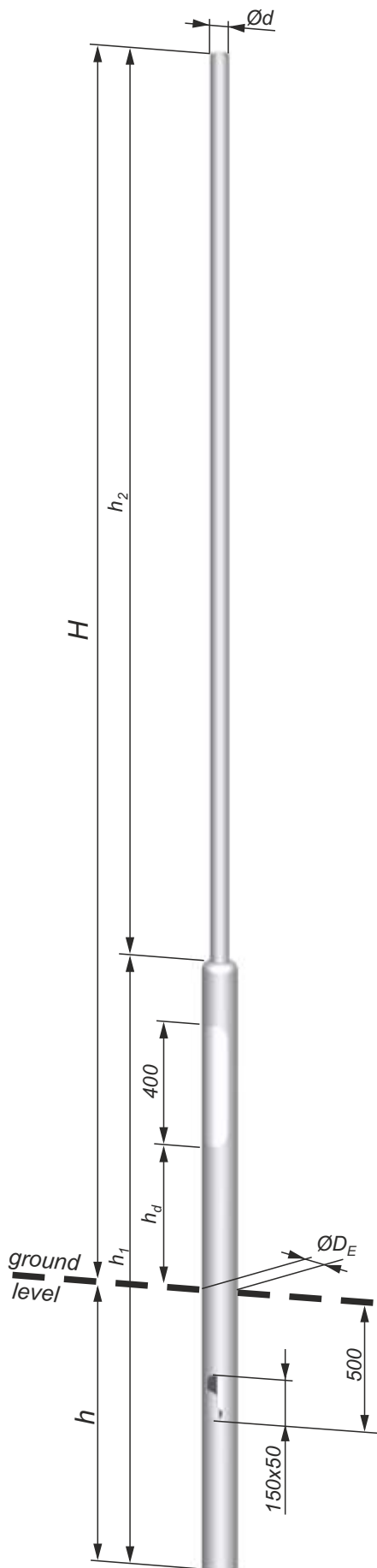


STEEL PARK LAMPS

WELDED TUBULAR PARK LAMP POLES FOR IN-SOIL INSTALLATION

PPARK LAMP
WELDED TUBULAR



Technical data

TYPE	H	h _d	Ød/D _E	h ₁	h ₂	m	h
	m	mm	mm	m	m	kg	m
S-30SRsG	3,0	300		1,7	2,1	26,2	0,8
S-40SRsG	4,0	400	60/114	2,0	3,0	33,2	1,0
S-50SRsG	5,0			2,0	4,0	37,7	

Depth "h" of embedding in soil calculated for native soil (with intact structure) and geotechnical parameters from group II.

Ød - other mounting diameters must be specified in the inquiry or order.

Strength data

TYPE	Lamp fixture	Wind Zone, PN EN 1991-1-4				M _{Fr}
		Permissible lamp fixture surface [m ²]				
	kg	I	I	II	III	
		≤300m a.s.l.	≤500m a.s.l.	≤300m a.s.l.	≤950m a.s.l.	kNm
S-30SRsG	40	1,487	1,135	1,044	0,765	3,1
S-40SRsG	40	0,902	0,674	0,615	0,435	3,1
S-50SRsG	40	0,514	0,367	0,329	0,213	3,1